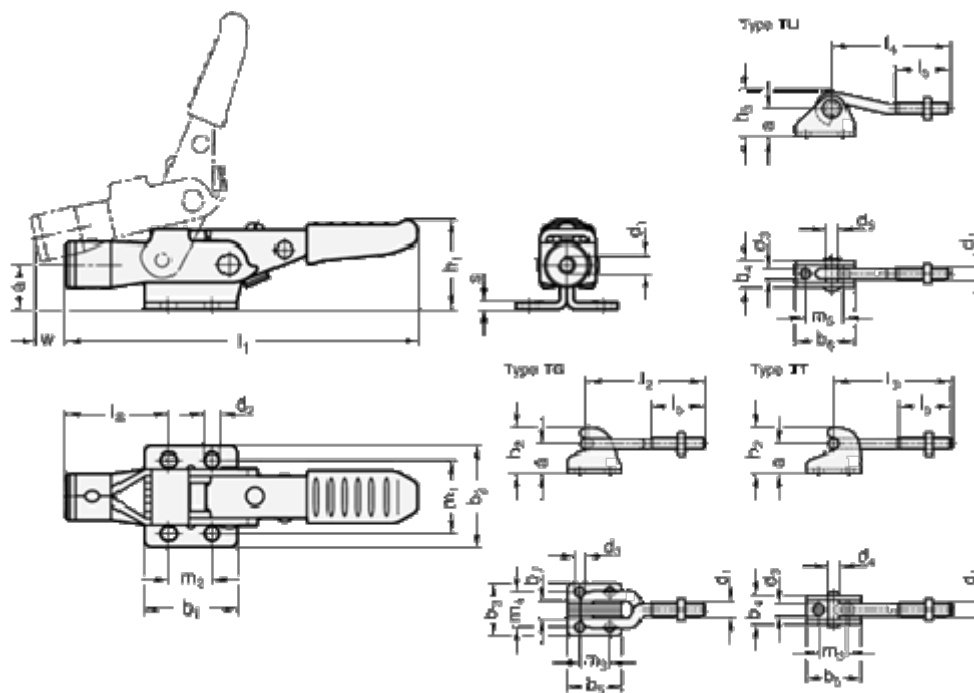


Article number: 20853320TT

Description: E+G Latch clamp with locking mechanism
GN 853-320-TT

Measures



$a = 19$	$d1 = M8$	Holding force $N = 4000$	$m2 = 19.0$
$b1 = 40$	$d2 = 6.7$	$l1 = 153$	$m3 = 19$
$b2 = 44$	$d3 = 6.7$	$l2 = 76.5$	$m4 = 22.3$
$b3 = 34$	$d4 = 7.0$	$l3 = 76.5$	$m5 = 25.4$
$b4 = 18$	$d5 = 8$	$l4 = 76.5$	$s = 3.0$
$b5 = 35$	$h1 = 38.5$	$l5 = 34$	Size = 320
$b6 = 38$	$h2 = 30.0$	$l6 = 44.5$	$w = 13$
$b7 = 10.0$	$h3 = 28.0$	$m1 = 32$	